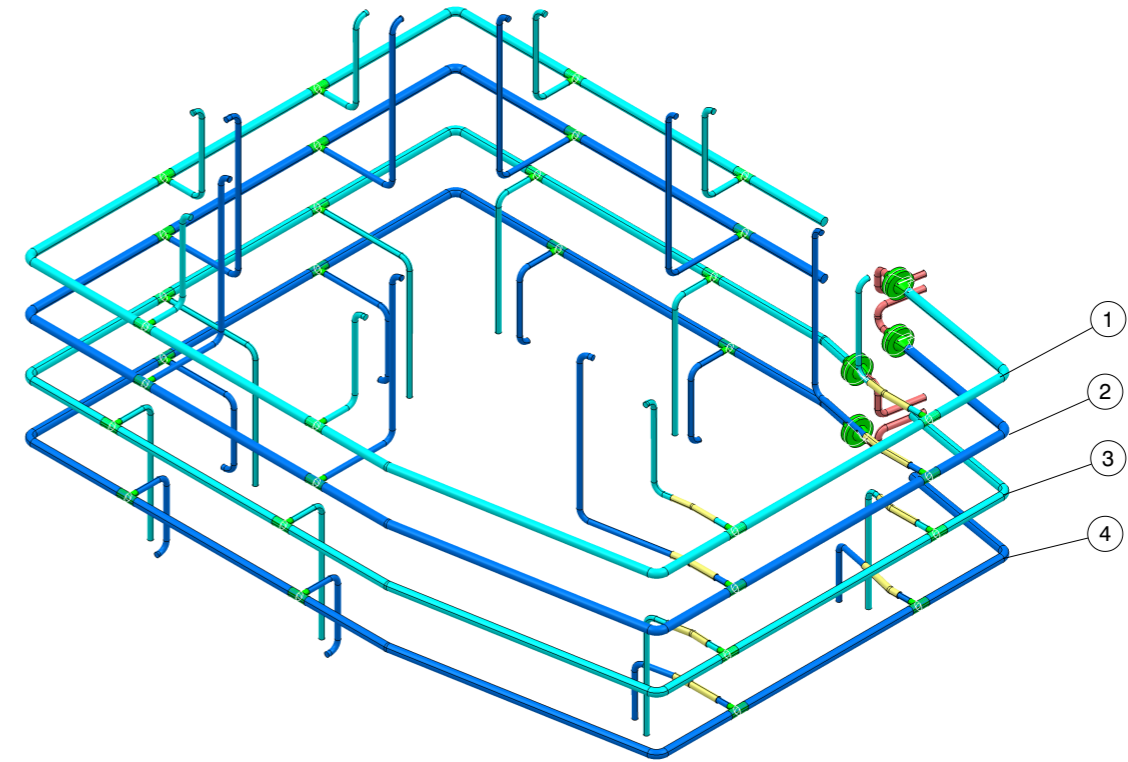
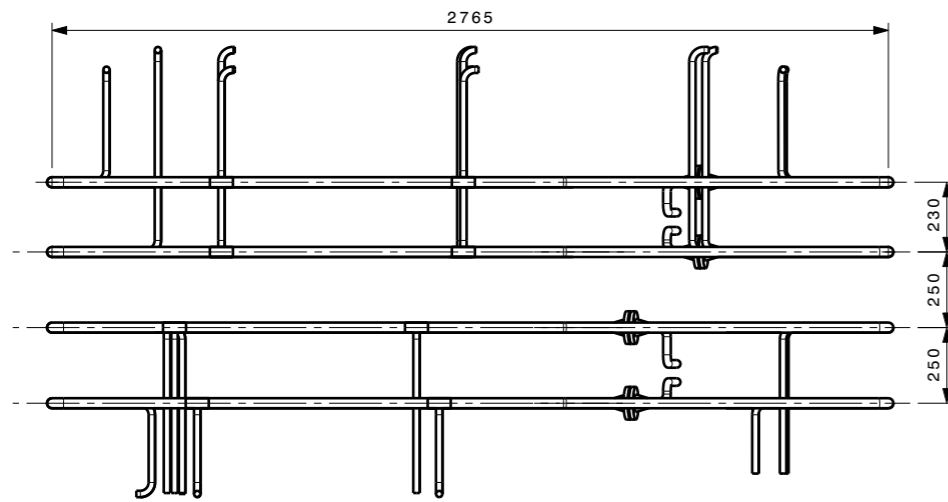


Top view



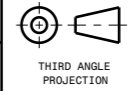
Isometric view



Front view

4	LN <sub>2</sub> SUPPLY HEADER
3	LHE SUPPLY HEADER
2	GN <sub>2</sub> RETURN HEADER
1	GHE RETURN HEADER
PART NO.	DESCRIPTION

2	RAW MATERIAL PIPES, BENDS, TEE, BRAIDED HOSES WILL BE SUPPLIED BY IPR
1	THIS SYSTEM IS ENTIRELY UNDER THE VENDOR'S SCOPE OF FABRICATION
Sr. No.	NOTE

DRG.NO	▽ 8-25	▽▽ 1.6-8	▽▽▽ 0.025-1.6	▽▽▽▽ < 0.025	REVISION COLUMN					NBI GROUP:	SIZE A3	INSTITUTE FOR PLASMA RESEARCH BHAT, GANDHINAGAR-382 428.				
CO-ORDINATED BY					REV	ZONE	DESCRIPTION	DATE	REMARKS	APPROVED BY	ALL DIMENSIONS ARE IN 'mm' UNLESS OTHERWISE STATED		TITLE			
MACHINING DEVIATIONS FOR NON-TOLERANCED DIMENSIONS											SCALE	NTS	DATE	 THIRD ANGLE PROJECTION	CRYOGENIC HEADERS IN VACCUM VESSEL	
LENGTH IN mm OF SHORTER SIDE OF ANGLES				LENGTH OR DIA	UPTO 6	6-30	30-120	120-315				DRAWN	A.R.K.			
UPTO 10	10-50	50-120	OVER 120-400									CHECKED			REF DRG NO:	REV 00
+1'	+0'-30'	+0'-20'	+0'-10'		+0.1	+0.2	+0.3	+0.5			APPROVED			DRG.NO	2.04.02.034	SHEET 1 OF 6