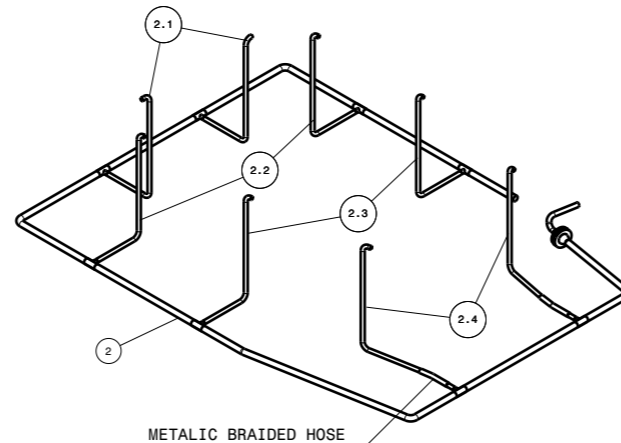
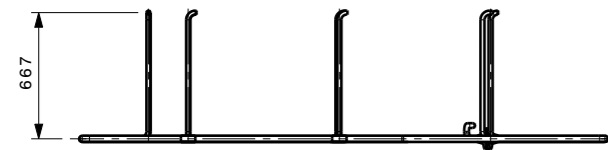


Top view

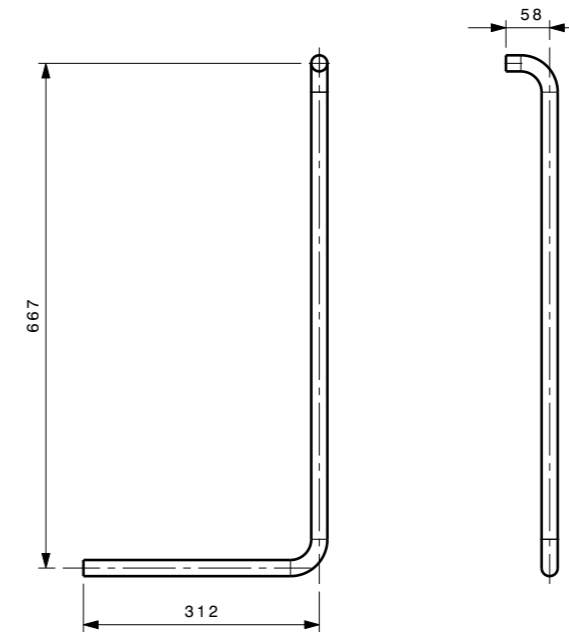


Isometric view
Scale: 1:40



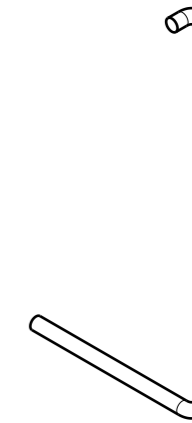
Front view

2: NITROGEN RETURN HEADER
NB 1" SCH. 10S (MATERIAL: SS304L)



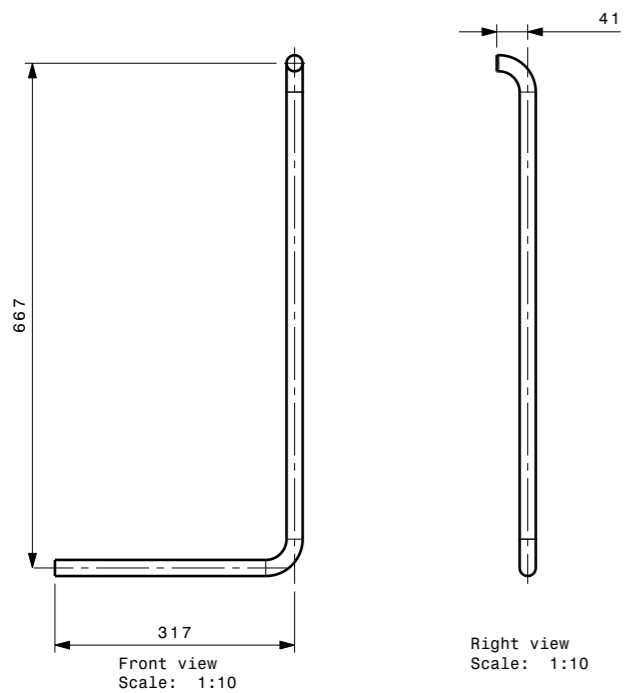
Front view
Scale: 1:10

Right view
Scale: 1:10



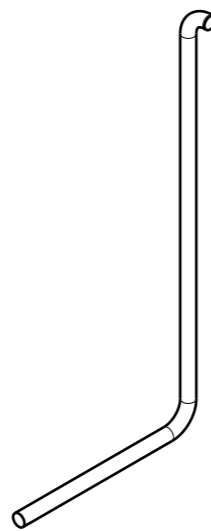
Isometric view
Scale: 1:10

2.1 : NITROGEN RETURN BRANCH-1
NB 1/2" SCH. 10S (MATERIAL: SS304L)



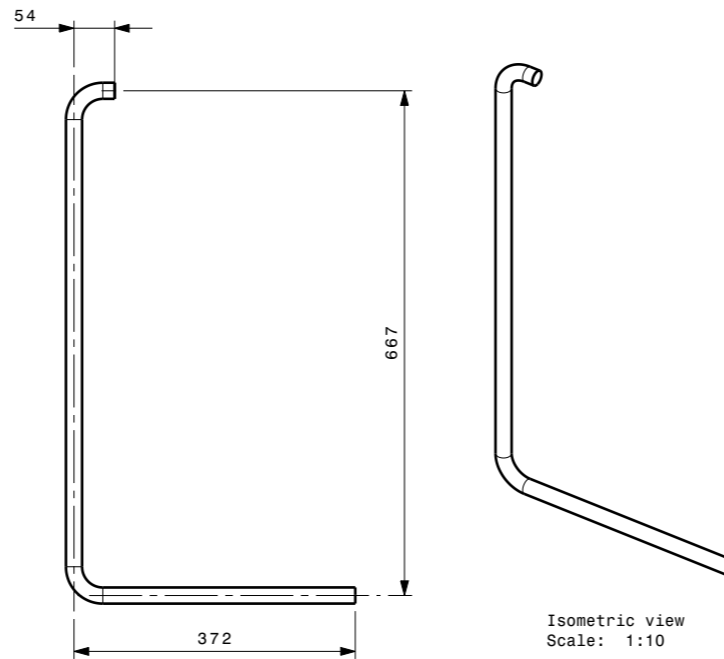
Front view
Scale: 1:10

Right view
Scale: 1:10



Isometric view
Scale: 1:10

2.2 & 2.3 : NITROGEN RETURN BRANCH-2 & 3
NB 1/2" SCH. 10S (MATERIAL: SS304L)



Front view
Scale: 1:10

Isometric view
Scale: 1:10

2.4 : NITROGEN RETURN BRANCH-4
NB 1/2" SCH. 10S (MATERIAL: SS304L)

NOTE*

1. ALL DIMENSIONS ARE IN MM.
2. METALIC BRAIDED HOSES MAY BE USED AS PER REQUIREMENT IN THE BRANCH LINE.

DRG.NO	▽ 8-25	▽▽ 1.6-8	▽▽▽ 0.025-1.6	▽▽▽▽ < 0.025	REVISION COLUMN					NBI GROUP:	SIZE A3		INSTITUTE FOR PLASMA RESEARCH BHAT, GANDHINAGAR-382 428.						
CO-ORDINATED BY					REV	ZONE	DESCRIPTION	DATE	REMARKS	APPROVED BY	ALL DIMENSIONS ARE IN 'mm' UNLESS OTHERWISE STATED		SCALE	NTS	DATE	TITLE			
MACHINING DEVIATIONS FOR NON-TOLERANCED DIMENSIONS												NITROGEN RETURN HEADER DETAIL							
LENGTH IN mm OF SHORTER SIDE OF ANGLES				LENGTH OR DIA	UPTO 6	6-30	30-120	120-315					DRAWN	A.R.K.					
UPTO 10	10-50	50-120	OVER 120-400		+0.1	+0.2	+0.3	+0.5					CHECKED						REF DRG NO:
+1'	+0'-30'	+0'-20'	+0'-10'								APPROVED						DRG.NO	2.04.02.034	REV 00
																		SHEET 3 OF 6	

H

G

B

A